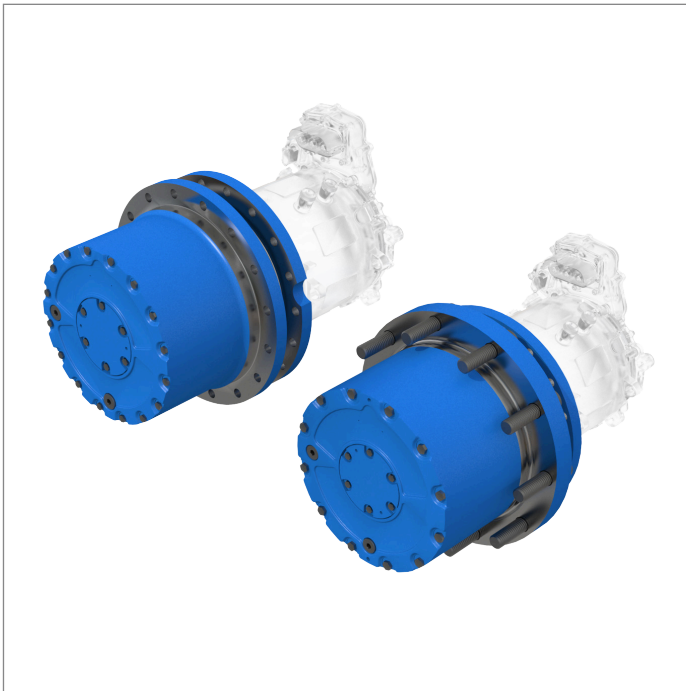


Planetary gearboxes for mobile applications ROTATRAC eGFT 8000 Series 40



- ▶ Sizes 8120 to 8150
- ▶ Output torques from 15000 to 42000 Nm

Features

- ▶ Compact, space-saving three- or four-stage planetary gearbox
- ▶ Suitable for high-speed electric motors
- ▶ Robust design
- ▶ Integrated static hydraulic operated multiple-disk parking brake
- ▶ Easy assembly
- ▶ Disconnect mechanism (optional)
- ▶ Wheel studs (optional)

Contents

Description	2
Technical data	2
Technical data electric motor (compatible electric motor on request)	2
Application conditions	2
Dimensions	3
Overview data sheets Gearbox Technology	4



Additional information at:
www.boschrexroth.com/gears

Description

The electromechanical compact drive series 40 consists of a three- or four-stage planetary gearbox with connections for the required external oil cooling. In combination with a high-speed electric motor, the planetary gearbox forms a space-saving drive unit and is preferably used as a drive component for wheel- or chain-driven vehicles and other mobile applications.

Application conditions

The planetary gearboxes are designed for use in environmental temperatures between -25°C and +40°C. Environmental factors such as salt water, salt air, sand, dust, pressure, severe shocks, extreme shock loads and environmental temperatures, aggressive media, etc. affect the function. Such influences must be pre-announced in order for a secure gearbox design.

Technical data

Size eGFT	Nominal output torque Nm	Ratio <i>i</i>	Brake torque static Nm	Appr. weight without motor kg	Compatible electric motors
8120 F	15000	59.4 • 75.2 • 81.8 • 100.3 • 113.9 • 122.4 ¹⁾	480	85	SMG180 (other motors on request)
8130 F	20000	81.3 • 101.1 • 122.6 • 158.3 ¹⁾	480 608 ²⁾	110	SMG180 (other motors on request)
8140 G ³⁾	30000	283.1 • 321.7 • 376.9 • 429.1	480	tbd	SMG180 (other motors on request)
8150 F	42000	102.5 • 112.4 • 131.4 • 160.6	608	230	SMG220 (other motors on request)

Other performance variants on request

Technical data electric motor (compatible electric motor on request)

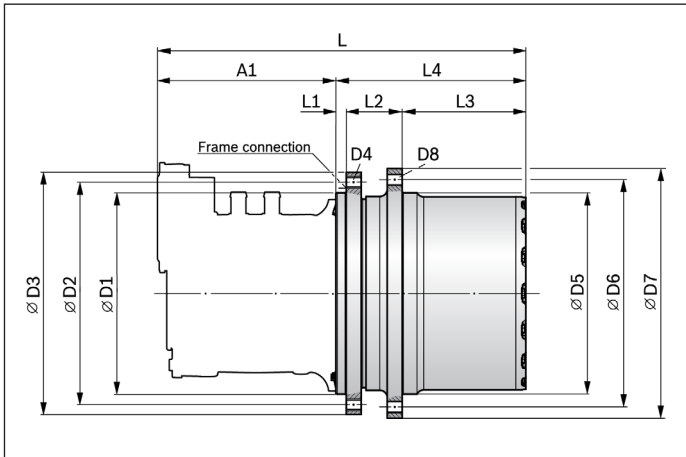
Size SMG	DC-Voltage VDC	Max. power kw	Max. torque Nm	Max. rotation speed rpm	Coolant	Weight kg
180	400	90	200	12800	Water-glycol mixture (SI-OAT)	30
220	400	140	350	16000	Water-glycol mixture (SI-OAT)	63

1) Disconnect mechanism not in the delivery program

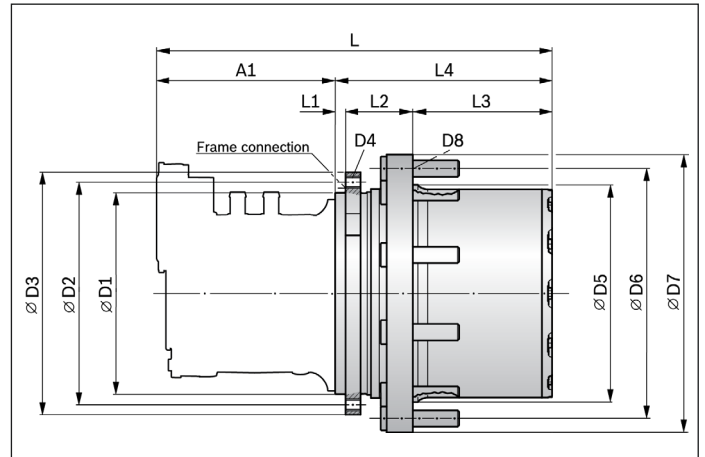
2) Only in the design eGFT8130F/40H

3) On request

Dimensions



Version **T** (with thread hole)
shown with SMG-motor (standardly not included within
Rexroth's scope of supply)



Version **W** (with wheel studs)
shown with SMG-motor (standardly not included within
Rexroth's scope of supply)

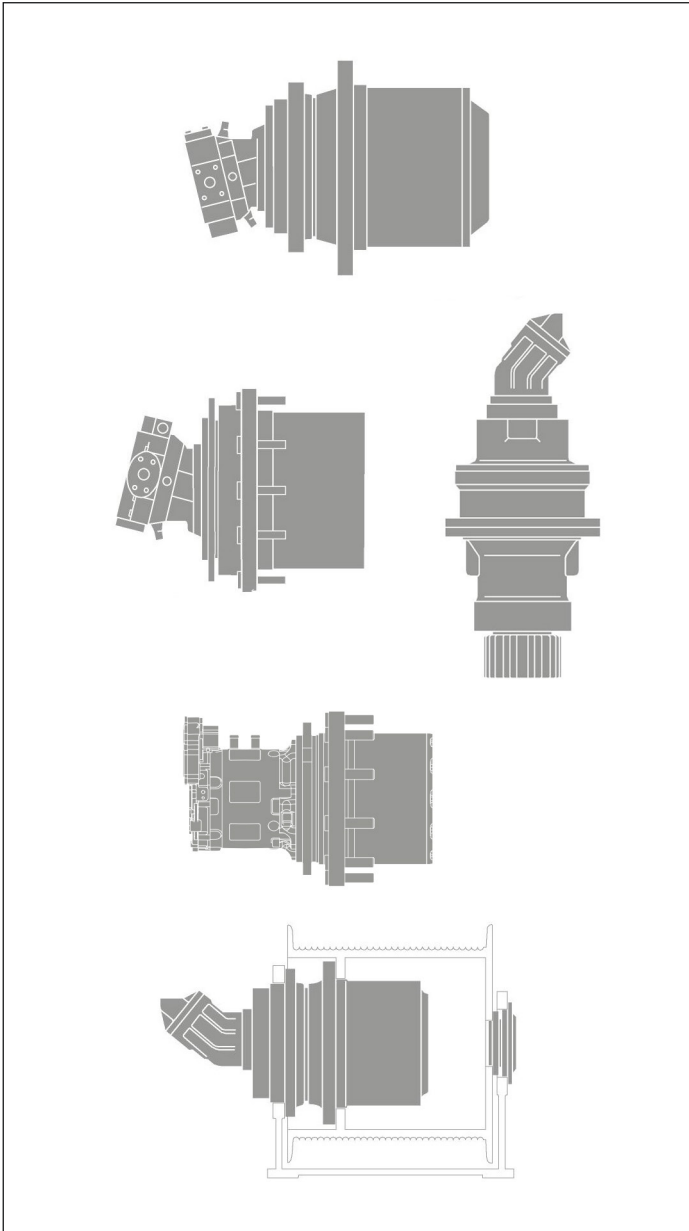
Size eGFT	Version	D1	D2	D3	D4	D5	D6 mm	D7	D8	L ⁴⁾	L1	L2	L3	L4	A1 ⁴⁾
8120 F	T	270	300	325	17x M16	270	305	335	16x M16	500.5	22	75	163.5	252.5	240
8120 F	W	270	300	325	17x M16	260	300	335	10x M22x1.5	500.5	22	82	156.5	252.5	240
8120 F	W	270	300	325	17x M16	280	335	372	10x ¹⁾	500.5	22	90	148.5	252.5	240
8130 F	T	270	300	325	17x M16	280	305	330	16x M16	510	22	82	166	262	240
8130 F	W	270	300	325	17x M16	280	335	372	10x ²⁾	510	22	90	158	262	240
8140 G	T	270	300	325	tbd	280	305	330	20x M16	539.5	22	82	195.5	291.5	240
8150 F	T	330	370	410	20x M20	360	400	440	16x M20	736	12	90	254	356	380
8150 F	W	330	370	410	20x M20	365	415	455	12x ³⁾	736	12	90	254	356	380

The values given under „Dimensions“ conform to the standard connecting dimensions.

Other dimensions on request.

1) GFT 8120 F
10x 3/4" x 16UNF-2A effective length = 40 mm
10x M22 x 1.5 effective length = 55 mm
10x M22 x 1.5 effective length = 77 mm
2) GFT 8130 F
10x M22 x 1.5 effective length = 62 mm
10x M22 x 1.5 effective length = 67 mm
3) GFT 8150 F
12x M22 x 1.5 effective length = 50 mm
4) Measures refers to the compatible SMG sizes.

Overview data sheets Gearbox Technology



Hydrostatic travel drives

- HYDROTRAC GFT, series 20, RE 77110
Output torques from 160 to 620 kNm
- HYDROTRAC GFT 2160, series 20, RE 77125
Output torque max. 42,5 kNm
- HYDROTRAC GFT 8000, series 20, RE 79099
Output torques from 7 to 15 kNm
- HYDROTRAC GFT 8000, series 30, RE 77128
Output torques from 20 to 30 kNm
- HYDROTRAC GFT 8000, series 40, RE 77117
Output torques from 10 to 130 kNm
- HYDROTRAC GFT 8150 with TIS, RE 79093
Output torque max. 42 kNm
- HYDROTRAC GFT 45 T2/T3, RE 77115
Output torque max. 45 kNm
- HYDROTRAC GFT 34, series 20, RE 79062
Output torque max. 34 kNm

Electromechanical travel drives

- ROTATRAC eGFT 8000, series 40, RE 79082
Output torques from 15 to 42 kNm

Hydrostatic swing drives

- MOBILEX GFB, RE 77201
Output torques from 4 to 68,3 kNm
- MOBILEX GFB 2160, series 20, RE 77208
Output torque max. 14,5 kNm
- MOBILEX GFB 8000, series 40, RE 79058
Output torques from 8,5 to 30 kNm

Hydrostatic winch gears

- MOBILEX GFT-W, RE 77502
Output torques from 140 to 325 kNm
- MOBILEX GFW 5000, series 40, RE 77506
Output torques from 7,5 to 105 kNm

Bosch Rexroth AG

Gearbox Technology
Nortkirchenstraße 53
44263 Dortmund
Germany
Phone +49 231 22819-5
info.gears@boschrexroth.de
www.boschrexroth.com

© Bosch Rexroth AG 2019. All rights reserved, also regarding any disposal, exploitation, reproduction, editing, distribution, as well as in the event of applications for industrial property rights. The data specified within only serves to describe the product. No statements concerning a certain condition or suitability for a certain application can be derived from our information. The information given does not release the user from the obligation of own judgment and verification. It must be remembered that our products are subject to a natural process of wear and aging.