

AUGER EXTENSIONS X0100-XT100 TO SUIT MACHINES UP TO 30 TONNE

DIGGA

Digga's drilling extension range is the ultimate in quality and cost effectiveness. Completely manufactured by Digga, using only the highest grade materials and strictest quality control. Our range of extensions are suited for machines up to 30 tonnes.

Features

- Easy connect design. No adaptors required.
- Welded hub and shaft reduces excess play in the connections ensuring a straighter hole.
- Australian made quality.
- Telescopic design makes it easier to drill deeper while making it easier to store and transport extensions.
- Engineered to 40,000Nm of torque

MODEL NUMBER	X0100	XT100
TYPE	OUTER	INNER
AUGER SUITABILITY	RC10, RC11 & DR11	
DRIVE SUITABILITY	PD25 - PD50	
MACHINE SUITABILITY	15- 30 TONNE	
MAX TORQUE	40,000Nm	
STANDARD HUB	100MM SQ	
HUB OPTIONS	N/A	
BODY	168mm Dia x 11mm Wall	100MM SQ SOLID
LENGTH OPTIONS (mm)	1000, 1500, 2000, 2500, 3000, 3500, 4000	
AVAILABILITY	MADE TO ORDER	

RANGE

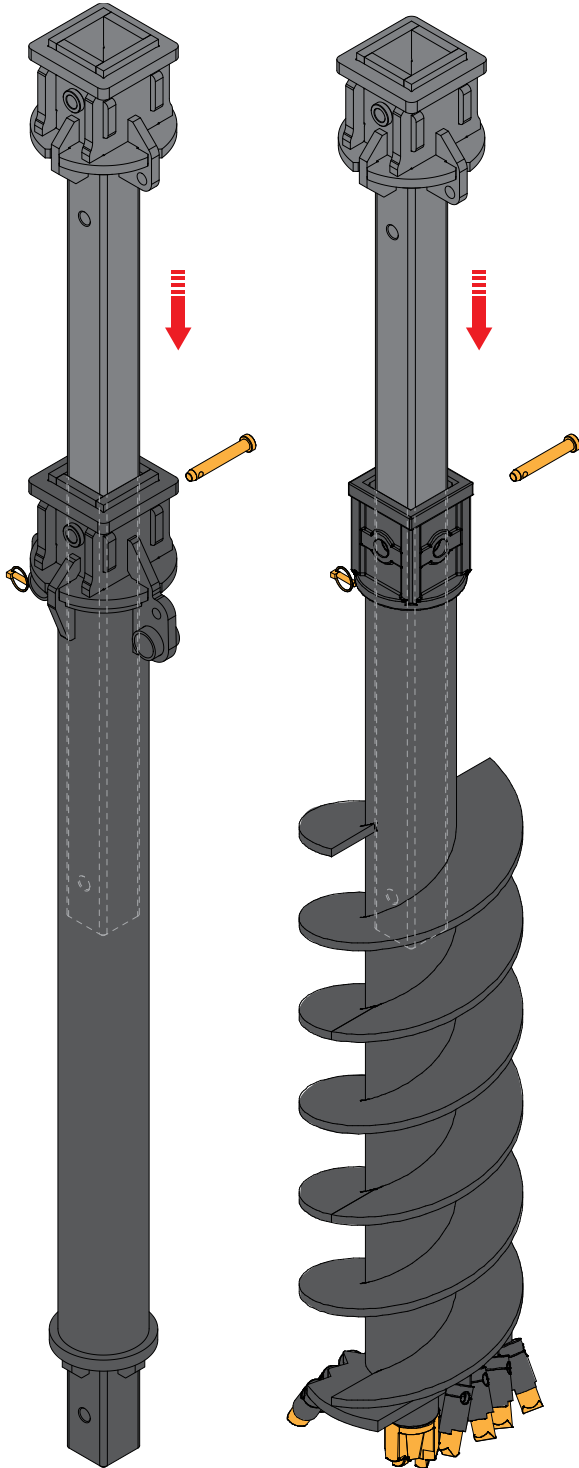


AUGER EXTENSIONS X0100-XT100 TO SUIT MACHINES UP TO 30 TONNES

DIGGA

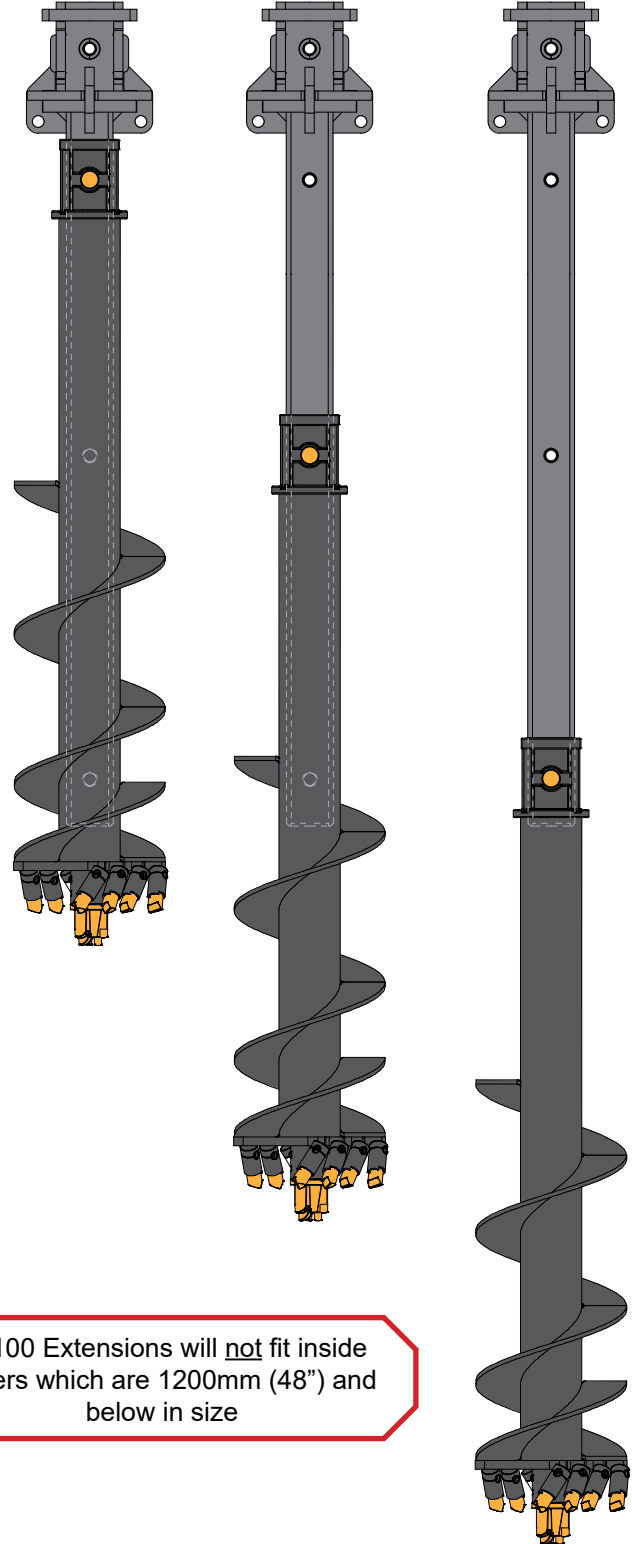
EASY TRANSPORTATION

Telescopic extensions can slide inside the outer extension and even the auger for easy transportation.



EASY LENGTH ADJUSTMENT

The length of your auger and Telescopic extension can easily be adjusted for required drilling depth.



XT100 Extensions will not fit inside augers which are 1200mm (48") and below in size