

AUGER EXTENSIONS X075-XT75 TO SUIT MACHINES 5 TO 8 TONNES

DIGGA

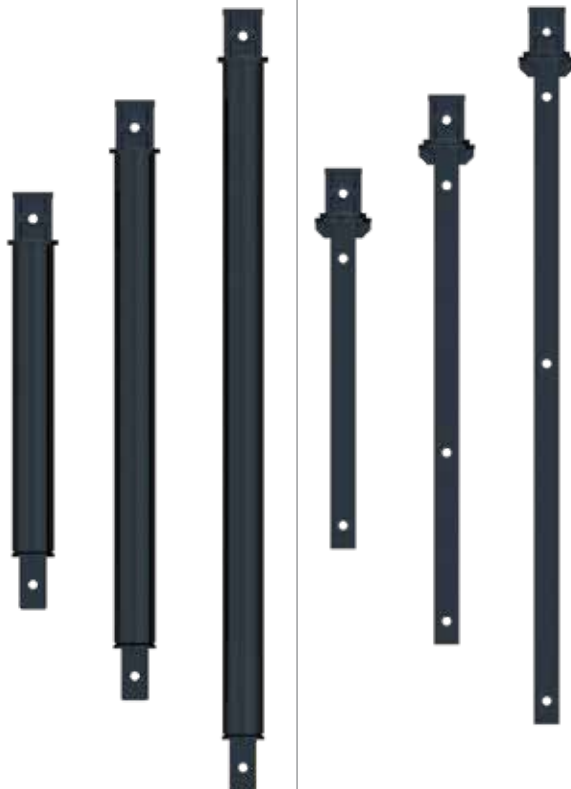
Digga's drilling extension range is the ultimate in quality and cost effectiveness. Manufactured inhouse by Digga using only the highest grade materials and strictest quality control. The X075 and XT75 range of extensions is suited for machines up to 5-8 tonne.

Features

- Easy connect design. No adaptors required.
- Welded hub and shaft reduces excess play in the connections ensuring a straighter hole.
- Australian made quality.
- Telescopic design makes it easier to drill deeper. while making it easier to store and transport extensions.
- Engineered to 7,200Nm of torque

MODEL NUMBER	X075	XT75
TYPE	OUTER	INNER
AUGER SUITABILITY	A6, RC6 & DR6	
DRIVE SUITABILITY	UP TO PD8	
MACHINE SUITABILITY	5 TO 8 TONNE	
MAX TORQUE	7,200Nm	
STANDARD HUB	75MM SQ	
HUB OPTIONS	N/A	
BODY	114mm DIA x 6mm WALL	75MM SQ HOLLOW
LENGTH OPTIONS (mm)	1000 - 1500 - 2000 - 2500	1000 - 1500 - 2000
AVAILABILITY	STOCK ITEM	

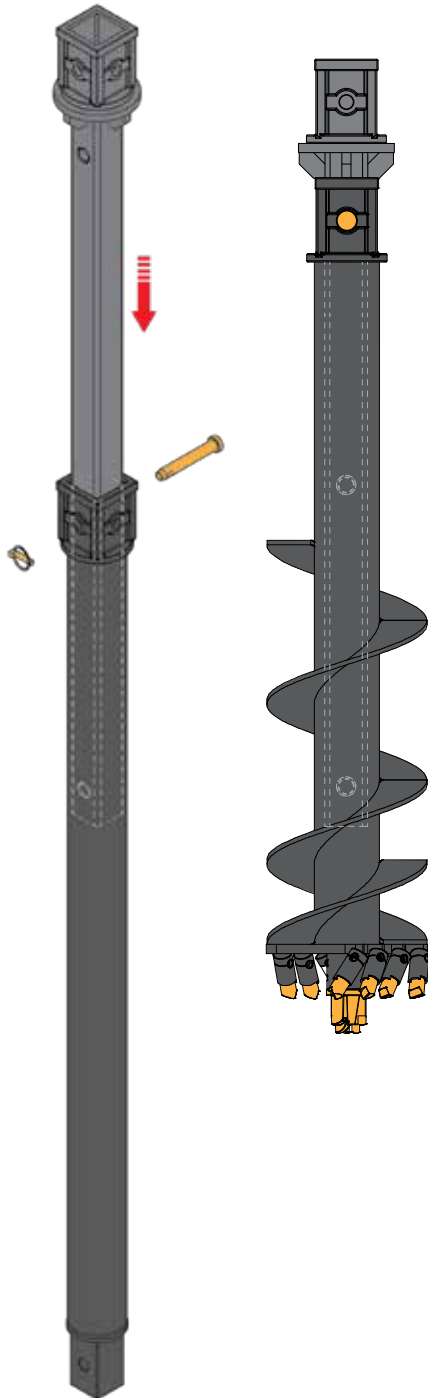
RANGE



TELESCOPIC EXTENSION BENEFITS

EASY STORAGE & TRANSPORTATION

Inner extensions slide inside outer extensions and augers saving space and reducing the time to load.



XT75 Extensions will not fit inside A6, RC6 and DR6 augers which are 300mm (12") and below in size.

EASY DEEP DRILLING

Start drilling with the inner extension fully inserted into the auger. As full depth is reached, let some extension out, pin it in place and continue drilling. No need for adaptors or adding new extension lengths.

