

# AUGER EXTENSIONS - X075HD-XT75HD TO SUIT MACHINES UP TO 20 TONNE

# DIGGA


Digga's drilling extension range is the ultimate in quality and cost effectiveness. Completely manufactured by Digga using only the highest grade materials and strictest quality control. Our range of extensions are suited for machines between 8 and 20 tonnes.

## Features

- Easy connect design. No adaptors required.
- Welded hub and shaft reduces excess play in the connections ensuring a straighter hole.
- Telescopic design makes it easier to drill deeper while making it easier to store and transport extensions.
- Australian made quality.

MODEL NUMBER	X075HD	XT75HD
TYPE	OUTER	INNER
AUGER SUITABILITY	A8, RC8 & DR8	
DRIVE SUITABILITY	UP TO PD22	UP TO PD15
MACHINE SUITABILITY	8 TO 20 TONNE	
MAX TORQUE	23,000Nm	14,000Nm
STANDARD HUB	75MM SQ (-5)	
HUB OPTIONS	N/A	
BODY	141mm Dia x 10mm Wall	75MM SQ SOLID
LENGTH OPTIONS (mm)	1000 - 1500 - 2000 - 2500 - 3000 - 3500 - 4000 - 4500 - 5000	1000 - 1500 - 2000 - 2500 - 3000 - 3500 - 4000
AVAILABILITY	2500 - 5000MM EXTENSIONS MADE TO ORDER	

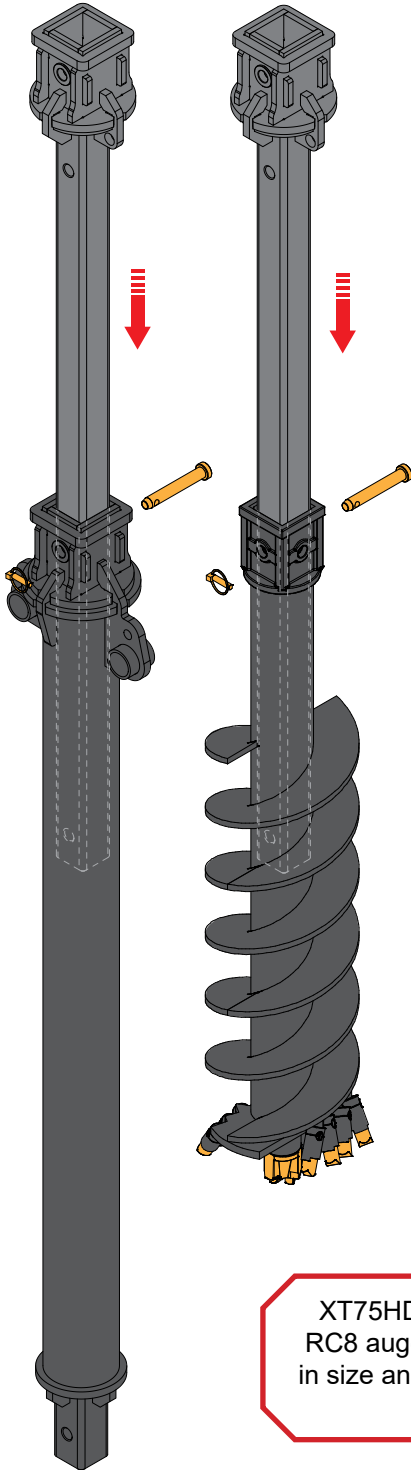
RANGE





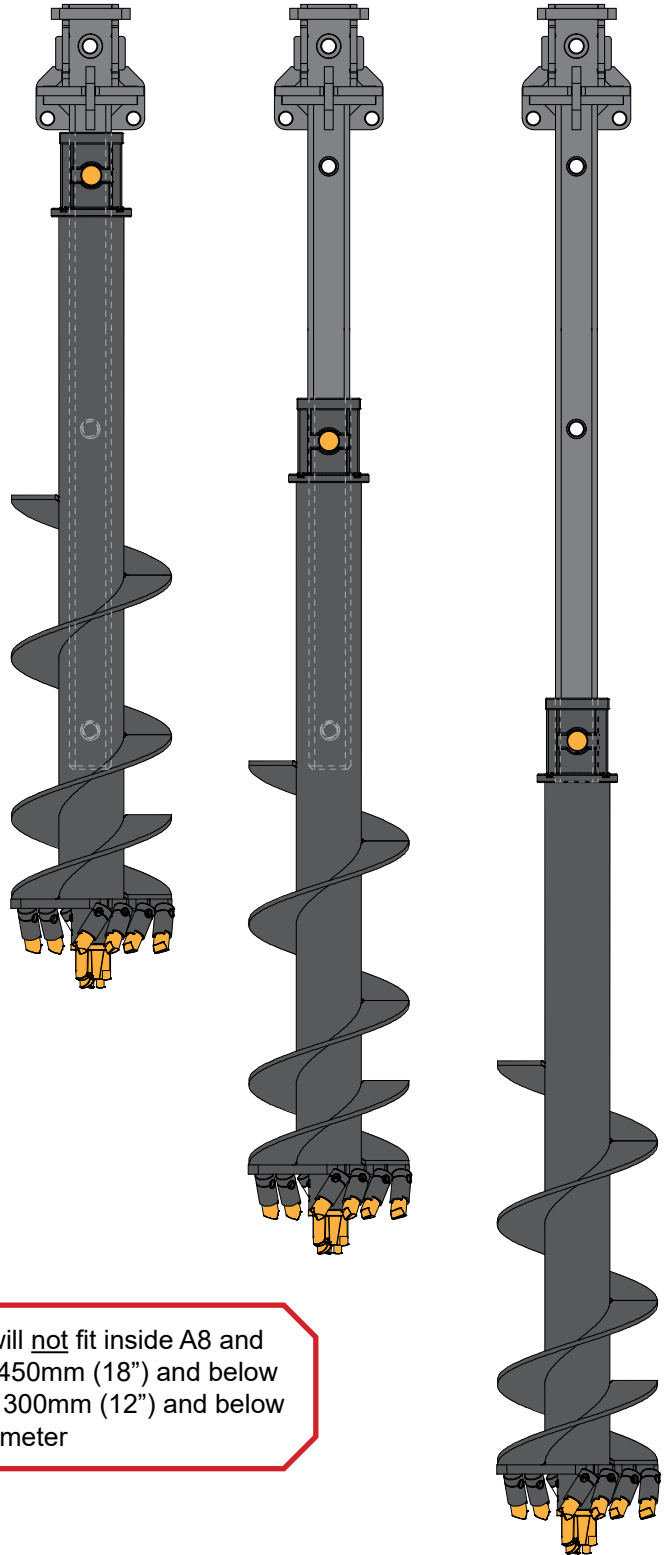
## EASY TRANSPORTATION

Telescopic extensions can slide inside the outer extension and even the auger for easy transportation.



## EASY LENGTH ADJUSTMENT

The length of your auger and Telescopic extension can easily be adjusted for required drilling depth.



XT75HD Extensions will not fit inside A8 and RC8 augers which are 450mm (18") and below in size and DR8 augers 300mm (12") and below in diameter